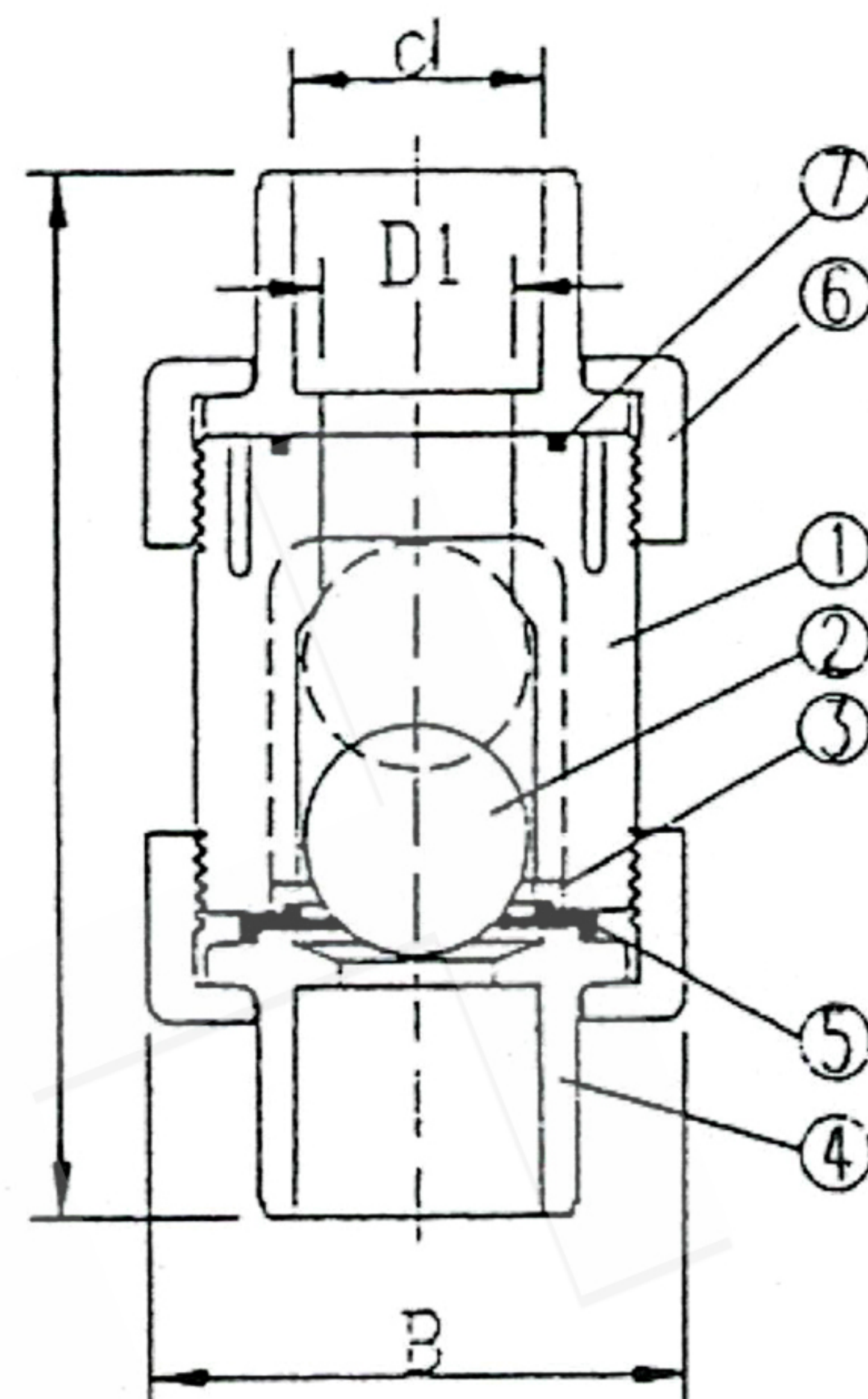




TRUE UNION BALL CHECK VALVE (VERTICAL TYPE)

TYPE: SOCKET Jx100/THREAD Jx200



MATERIALS OF CONSTRUCTION

Item	Parts	Pcs	Materials	Item	Parts	Pcs	Materials
①	Body	1	UPVC, PP, CPVC, PVDF	⑤	Seat	1	EPDM, VITON
②	Ball	1	UPVC, CPVC, PVDF	⑥	Union Nut	2	UPVC, PP, CPVC, PVDF
③	Seat Carrier	1	UPVC, PP, CPVC, PVDF	⑦	O'Ring	1	EPDM, VITON
④	End Connector	2	UPVC, PP, CPVC, PVDF				

DIMENSIONS TABLE

	JIN DIMENSIONS Unit:mm						ANSI DIMENSIONS Unit:inch						DIN DIMENSIONS Unit:mm					
	D ₁	d		L		B	D ₁	d		L		B	D ₁	d		L		B
		Socket	Thread	Socket	Thread			Socket	Thread	Socket	Thread			Socket	Thread			
15 (1/2")	15	21	PT	101	101	53.5	0.589	0.840	NPT	3.976	3.976	2.106	15	20	R ¹ / ₂	101	101	53.5
20 (3/4")	19.5	27	PT	115	115	63.3	0.771	1.050	NPT	4.527	4.527	2.492	19.5	25	R ³ / ₄	115	115	63.3
25 (1")	25	33	PT	156	156	73	0.984	1.315	NPT	5.345	5.345	2.874	25	32	R1	156	156	73
32 (1 1/4")	32	42	PT	171	171	97.5	1.259	1.660	NPT	6.732	6.732	3.842	32	40	R ¹ / ₄	171	171	97.5
40 (1 1/2")	40	48	PT	171	171	97.5	1.574	1.900	NPT	6.732	6.732	3.842	40	50	R1 1/2	171	171	97.5
50 (2")	50	60	PT	195	195	120.5	1.968	2.375	NPT	7.677	7.677	4.744	50	63	R2	195	195	120.5
65 (2 1/2")	65	76	PT	222	222		2.56	2.875	NPT	8.74	8.74		65	75	R2 1/2	222	222	
80 (3")	80	89	PT	274	274		3.15	3.50	NPT	10.79	10.79		80	90	R3	274	274	
100 (4")	100	114	PT	367	367		3.94	4.50	NPT	14.45	14.45		100	110	R4	367	367	